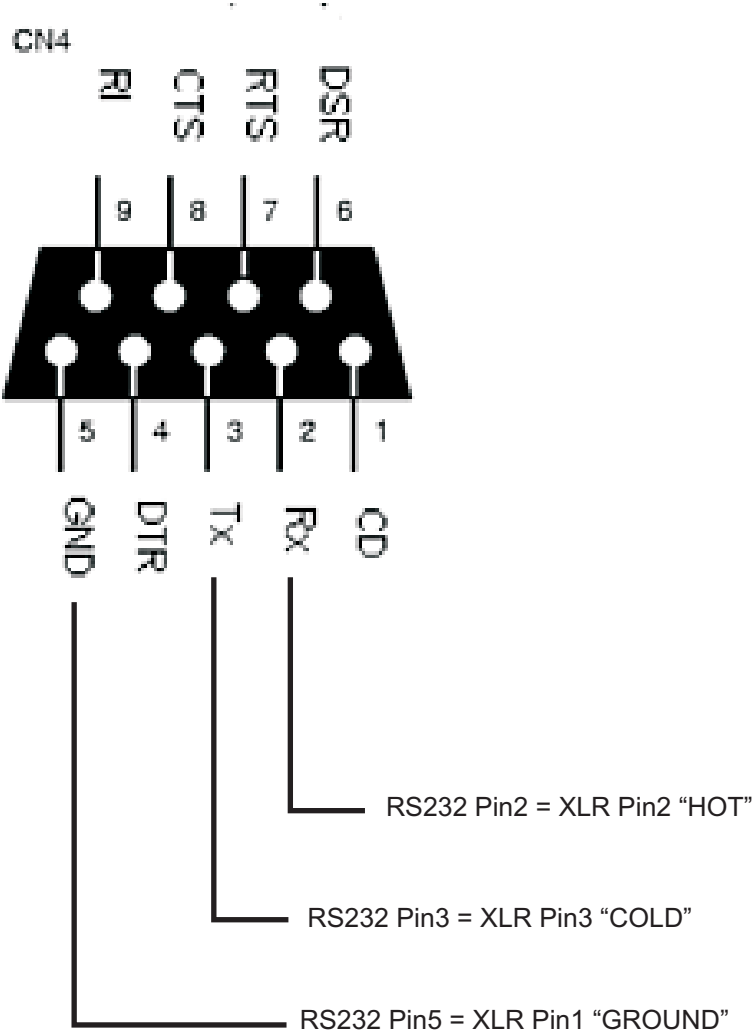


# RS232 pinout conversion to XLR.



RS232 SPEC DENOTES A 50 FOOT MAX CABLE RUN, UNOFFICIALLY GOOD TO 300 FEET.